

FRONT PANEL

PRODUCT SPECIFICATIONS

MODEL: **HALLETT 1000**

OPERATING PRESSURE: 5-100 psig
(34-690 kPa)

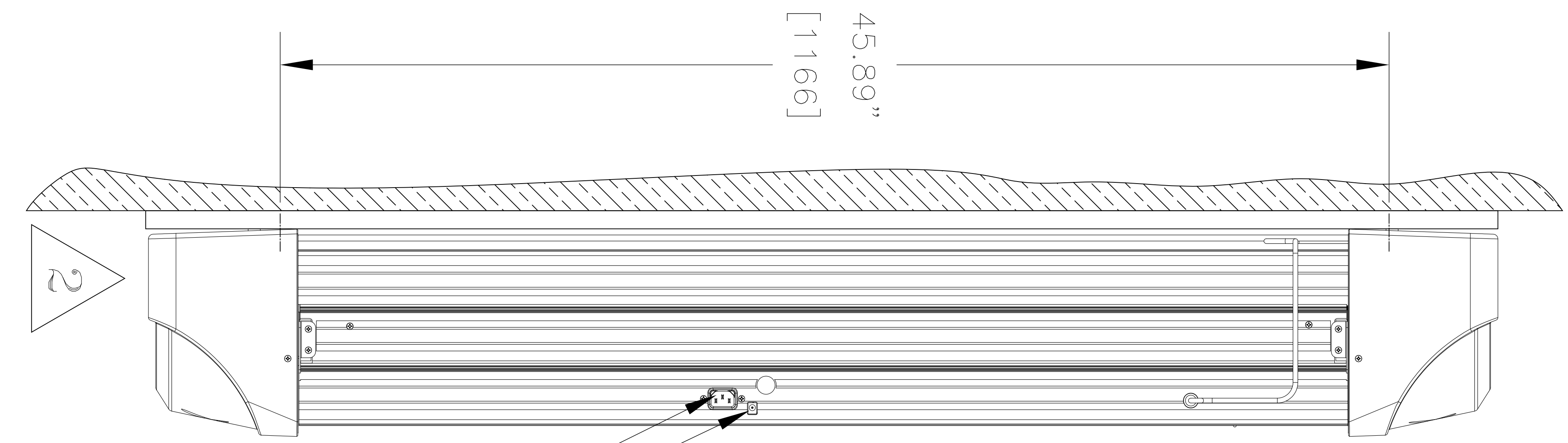
WATER TEMPERATURE: 34-104° F
(1-40° C)

AIR TEMPERATURE: 34-104° F
(1-40° C)

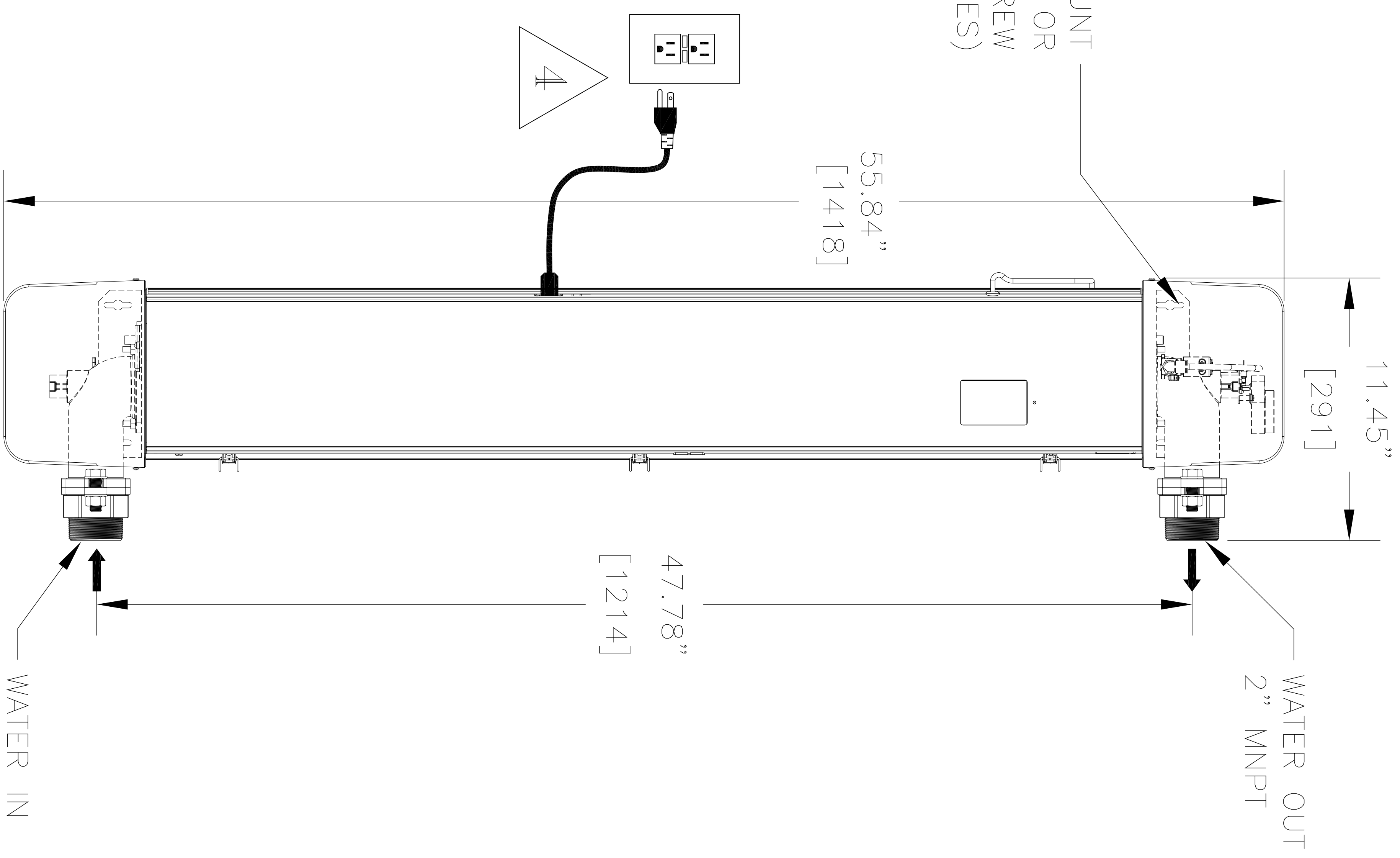
VOLTAGE: 120 Vac

POWER CONSUMPTION: 403 W (max.)

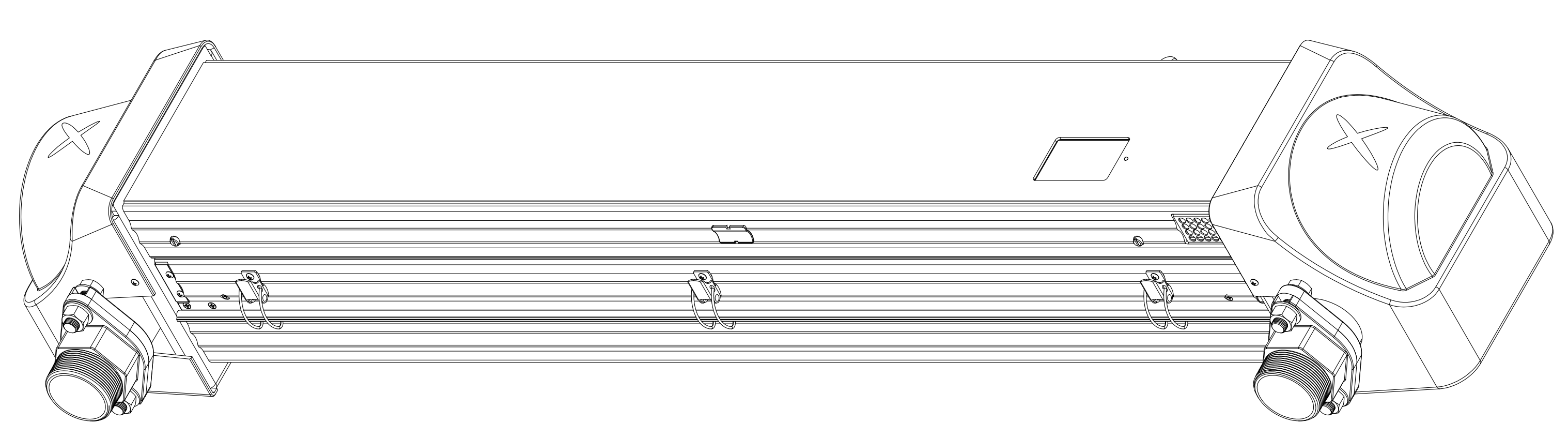
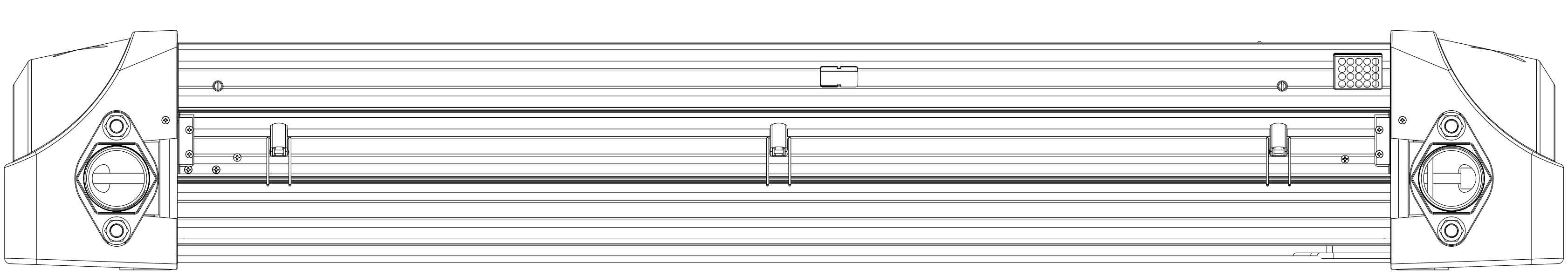
WEIGHT: 52 LBS
(23.5kg)



TO MOUNT
USE #12 OR
1/4" DIA. SCREW
(4-PLACES)



CONNECTION FOR OPTIONAL
AUTOMATIC SHUTOFF VALVE



**ISOMETRIC
VIEW**

THIS DRAWING, ITS SPECIFICATIONS AND DESIGNS, IS THE PROPERTY OF UV PURE TECHNOLOGIES INC. AND IS SUBJECT TO RETURN UPON REQUEST. IT IS SUBMITTED ON THE CONDITION THAT IT WILL NOT BE USED OR REPRODUCED IN ANY WAY WITHOUT UV PURE'S WRITTEN APPROVAL.

REVISIONS

REV	DESCRIPTION	DATE	APP'D
A			
B			
C			
D			
E			

NOTES

1 - ALL DIMENSIONS ARE IN INCHES, APPROX. EQUIV. IN METRIC. [mm] INSIDE PARENTHESES.

2 - UNIT TO BE MOUNTED VERTICALLY ON A SOLID WALL.

3 - FRONT PANEL SWINGS OPEN TO LEFT FOR UV LAMP REPLACEMENT.

4 - UNIT TO BE PLUGGED IN GROUND-FAULT CIRCUIT-INTERRUPTER (GFCI).

FINISH

MATERIAL

DIMENSIONS IN INCHES (unless otherwise specified)

TOLERANCES (unless otherwise specified)

ANGULAR ±0°30'

FRACTIONAL ±1/32

DECIMAL 2 PLACES ±.010

DECIMAL 1 PLACE ±.015

DECIMAL 4 PLACES ±.0005

UV PURE TECHNOLOGIES INC.
455 MILNER AVE., UNIT 1
TORONTO, ONTARIO
M1B 2K4

NAME	SIGN.	DATE
DRAFT S.P.		18 JUL 19
DESIGN		
CHECK		
APPR.		

TITLE: HALLETT 1000 LAYOUT DRAWING

SHEET No.	SHEET	SCALE
1	OF 1	NONE

DWG. No.	REV.
GU111	-