



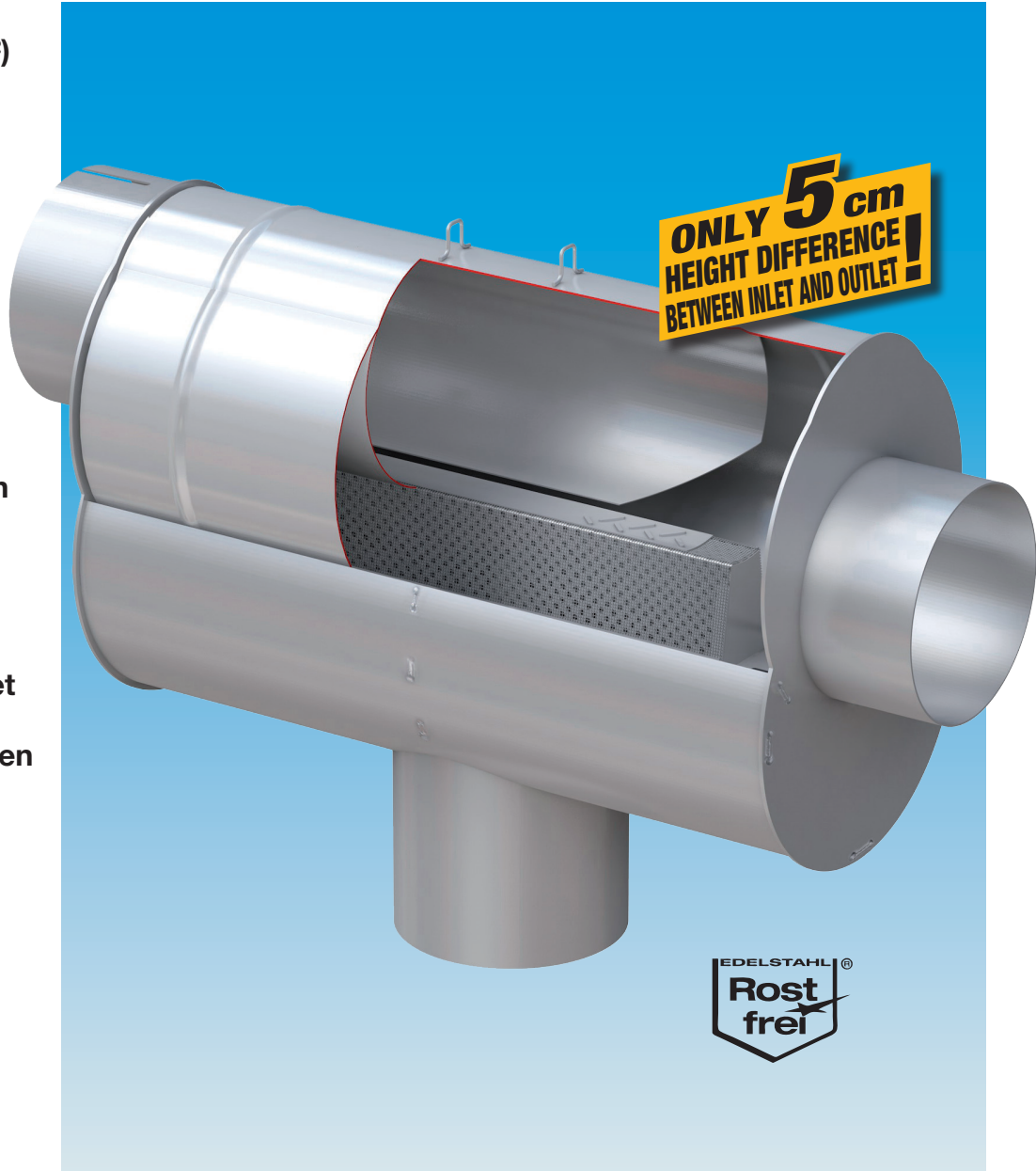
Rainwater harvesting  
The complete system

*Clean rainwater for  
house and garden*

# LineAr 100 rainwater filter

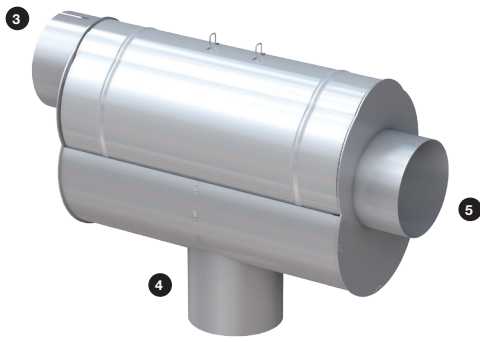
For installation in rainwater storage tanks

- For roof areas up to 246 m<sup>2</sup> (2648 ft<sup>2</sup>) (acc. to DIN 1986)
- Only 5 cm height difference between inlet and outlet
- For installation in rainwater storage tanks
- Self-cleaning, vertical filter mesh
- Horizontally aligned pipe DN 110
- Rainwater for toilet flushing, washing machine and garden

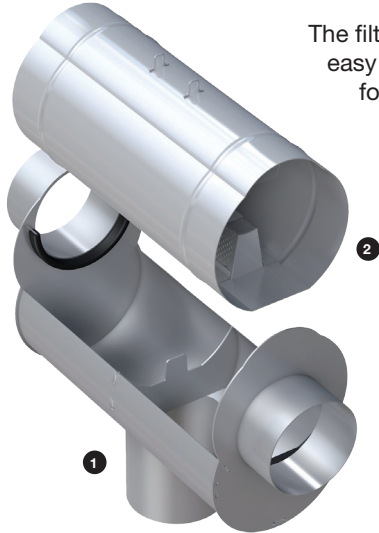


## Minimum height differential, straight piping

Whether for new builds or retrofits: The space-saving LineAr 100 rainwater filter is easy to plan and can be installed without any extra excavation work. There are just five centimeters height difference between the rainwater inlet and the dirty water outlet. Thanks to this minimal height difference, the LineAr 100 rainwater filter is extremely easy to integrate into existing pipework. It can even be placed directly inside a rainwater storage tank without changing the gradient of existing piping.



The filter insert is easy to remove for cleaning.



- 1 Stainless steel filter housing
- 2 Stainless steel filter insert
- 3 Rainwater Inlet DN 110
- 4 Outlet to rainwater tank
- 5 Soakaway or storm drain outlet

## Sophisticated design

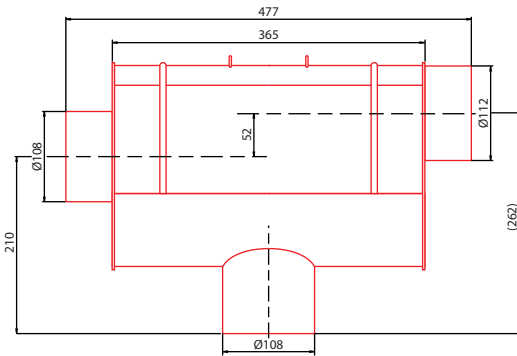
WISY's LineAr 100 rainwater filter has a vertical filter mesh. Leaves, moss and other suspended particles are simply flushed past the filter into the drain outlet. This is the crucial advantage of this design over filter surfaces that are almost horizontal and become clogged with dirt very quickly. These are commonly found in other products. The pipe diameter is uniform throughout the LineAr 100 rainwater filter. Even a tennis ball washed off the roof by rain can pass unhindered through the filter housing. The harvested rainwater is not only clean, but naturally soft as well. It is of an ideal quality for flushing toilets, washing .

## High-quality stainless steel with 5-year guarantee

The LineAr 100 rainwater filter is a rugged unit and its individual components are all made of stainless steel. It has no wearing or moving parts that could impair reliable operation of the system. We are pleased to offer a 5-year guarantee.

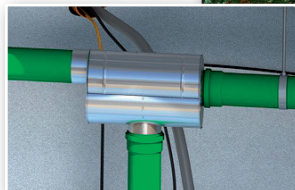
### Technical data

Maximum roof area, temperate climate according to DIN 1986	246 m <sup>2</sup> (2648 ft <sup>2</sup> )
Height difference between rainwater inlet and soakaway or storm drain outlet	52 mm
Filter mesh size	0.37 mm
Water yield at 1,4l/sec	> 90 %
Maintenance intervals	2 to 3 times per year
Diameter of all connecting pipes	DN 110
Item number	LF 1100



All dimensions specified in mm

The LineAr 100 rainwater filter in a concrete storage tank. The height difference between the inlet and outlet is only 52 mm.



Installation in the access shaft of a flat tank.



**WISY AG**  
D-63699 Kefenrod, Oberdorfstraße 26  
Telefon +49 (0) 60 54-91 21-0

Fax +49 (0) 60 54-91 21-29  
Internet: [www.wisy.de](http://www.wisy.de)  
E-Mail: [info@wisy.de](mailto:info@wisy.de)