



Vortex-Fine-Filter WFF 300

Clean water for home, commercial and industrial application

- Filters rainwater from roof areas up to 3000 m² in size (in temperate climate zones)
- For rainwater or process water
- Optionally with sealed plastic cover or vehicle duty steel cover
- Optional vehicle duty up to 60t
- DN 300 pipe connection
- Self-cleaning capability reduces maintenance



60t vehicle-duty capacity
Tested to German standard
ATV: Vehicle-duty capacity up to 60t (DIN 1072/SLW 60)



**made
in
Germany**

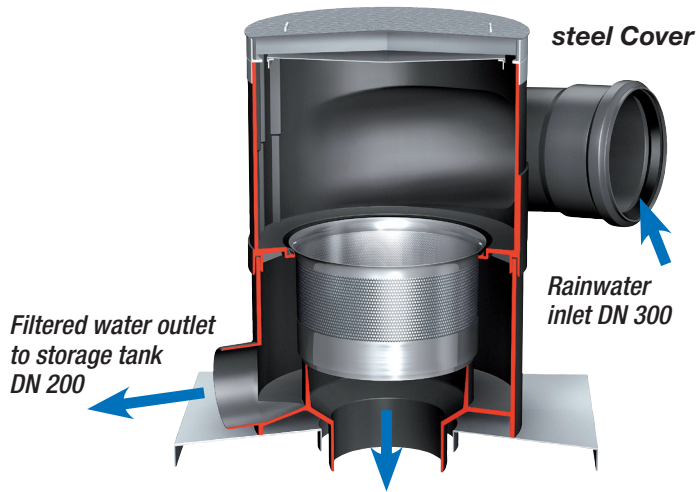
• The unique Vortex Fine Filters (WFF) from WISY deliver optimally cleaned Rainwater. The fine filtering ensures durability and functional reliability of system components such as pumps and valves.

• Rainwater coming from the roof is fed through a horizontal pipe into the WFF and directed over the entire area of the cylindrical filter. There, using adhesive force, the water is drawn sideways through the filter fabric and fed to the storage tank via the outlet connection. This principle leads to a yield of over 90% of the water supplied, while a small amount of water flushes the dirt automatically into the sewer.

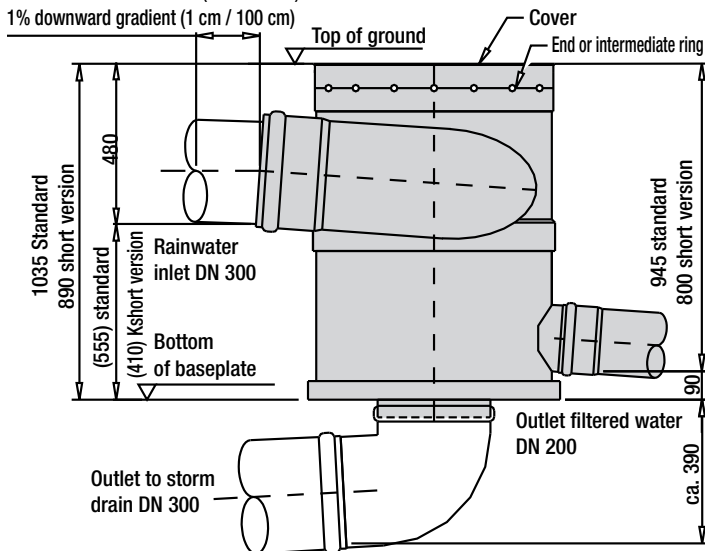
Filter to separate water and solids.

For cleaning rainwater or for separation of solids and process water recycling in industrial Application. With sealed plastic cover for free-standing installation or with a steel cover that can be driven over by a truck (up to 60t ATV tested), when installed underground. Polypropylene housing. Low maintenance filter insert made of stainless steel, cleaning interval: 2-3 times a year. Mesh size of the filter 0.38 mm. With base plate and 50 cm lifting handle. Available in the standard version with a total height of 1035 mm or in the short version with a total height of 890 mm. Optionally with Extension tube to raise the inspection opening to the ground level.

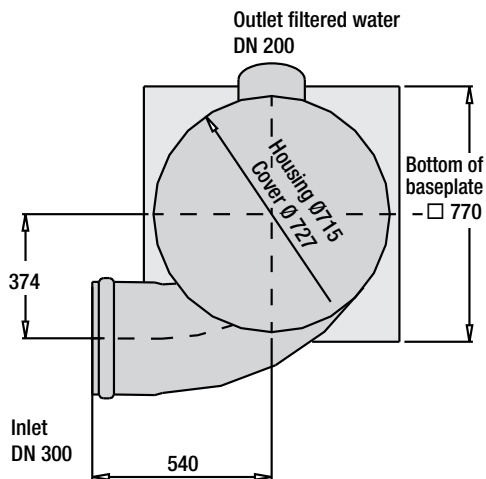
Drainage safety according to DIN EN 12056 / EN 752, complies with DIN 1989.



Straight tube section.
Recommended: 1.5 to 3 m (4.9 to 9.8 ft.)
1% downward gradient (1 cm / 100 cm)



Dirt and rinsing water outlet to storm drain or soakaway DN 300



- **Maximum capacity 80,6 Liter/sec at 1% downward gradient of the pipe**
- **Best operating point at 14 Liter/sec. This is equivalent to a medium strong Rainfall**

Accessories:

- ▶ Extension tube (PE), black For raising inspection opening to ground level, diameter 70 cm (2.3 ft.), length optional up to max. 100 cm (3.3 ft.), price per 10 cm WV 1030
- ▶ Intermediate ring, required in combination with steel Cover RS 1020
- ▶ Intermediate ring required in combination with sealed plastic cover RS 1060
- ▶ Soakaway strainer VS 0310
- ▶ Stainless-steel blind insert to prevent water flow to the storage tank. Ensures direct flow of water to the storm drain or soakaway system, during winter operation or maintenance BE 0306
- ▶ Vortex Fine Filter cleaning nozzle for continuous industrial operation SC 3000



WISY AG
D-63699 Kefenrod, Oberdorfstraße 26
Telefon +49 (0) 60 54-91 21-0

Fax +49 (0) 60 54-91 21-29
Internet: www.wisy.de
E-Mail: info@wisy.de