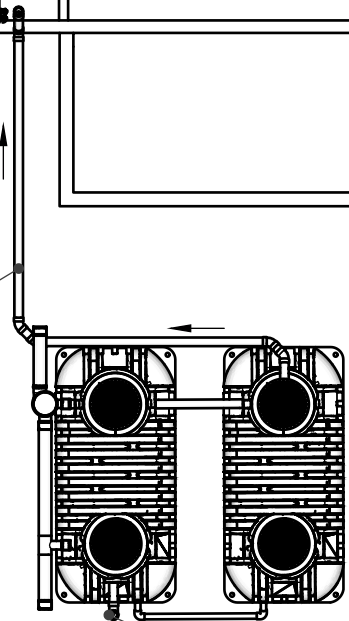


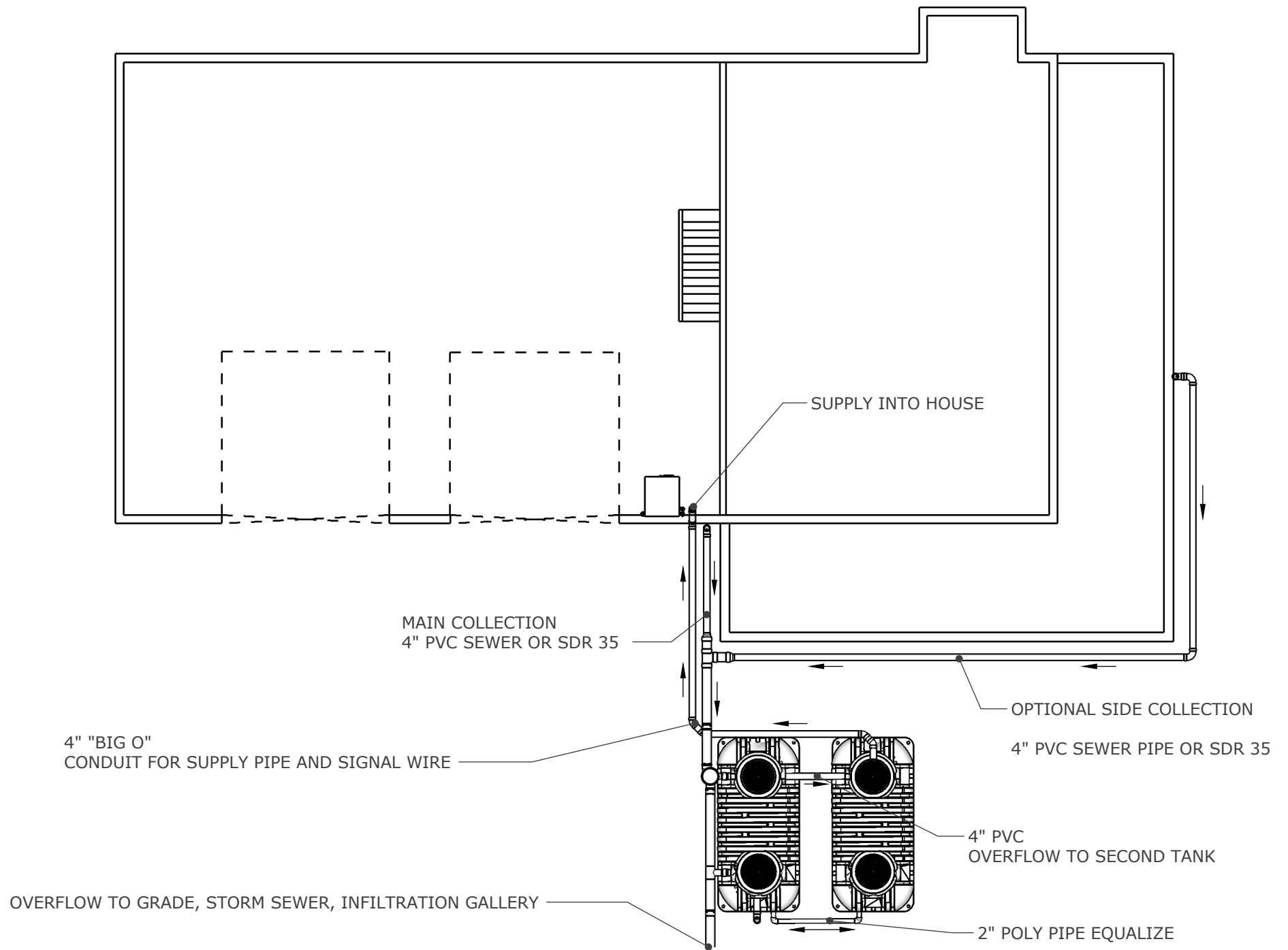
4" NON PERFORATED WEEPING TILE "BIG O"
USED AS CONDUIT

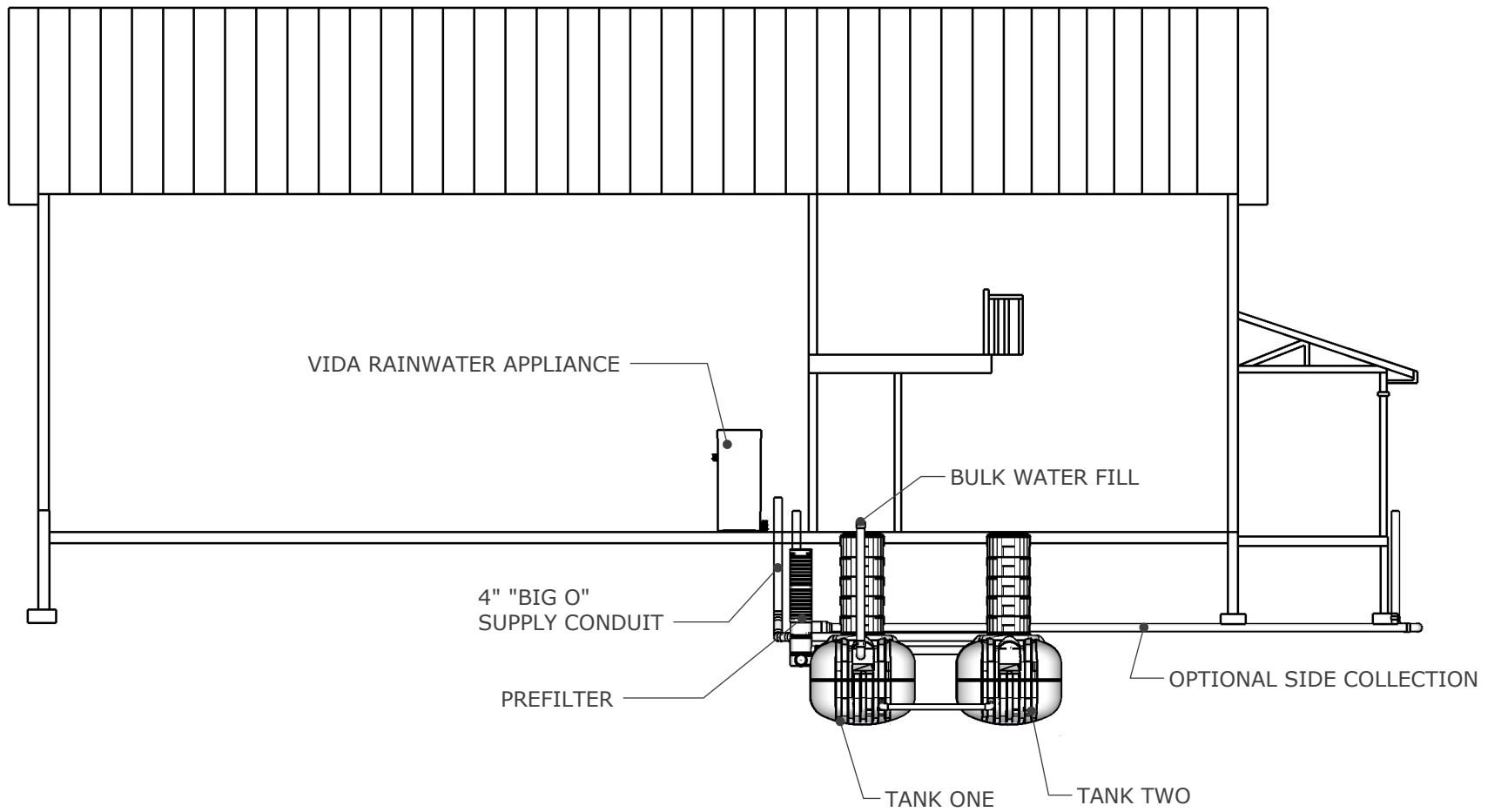
1 1/4" WATER LINE - BLACK POLY CSA

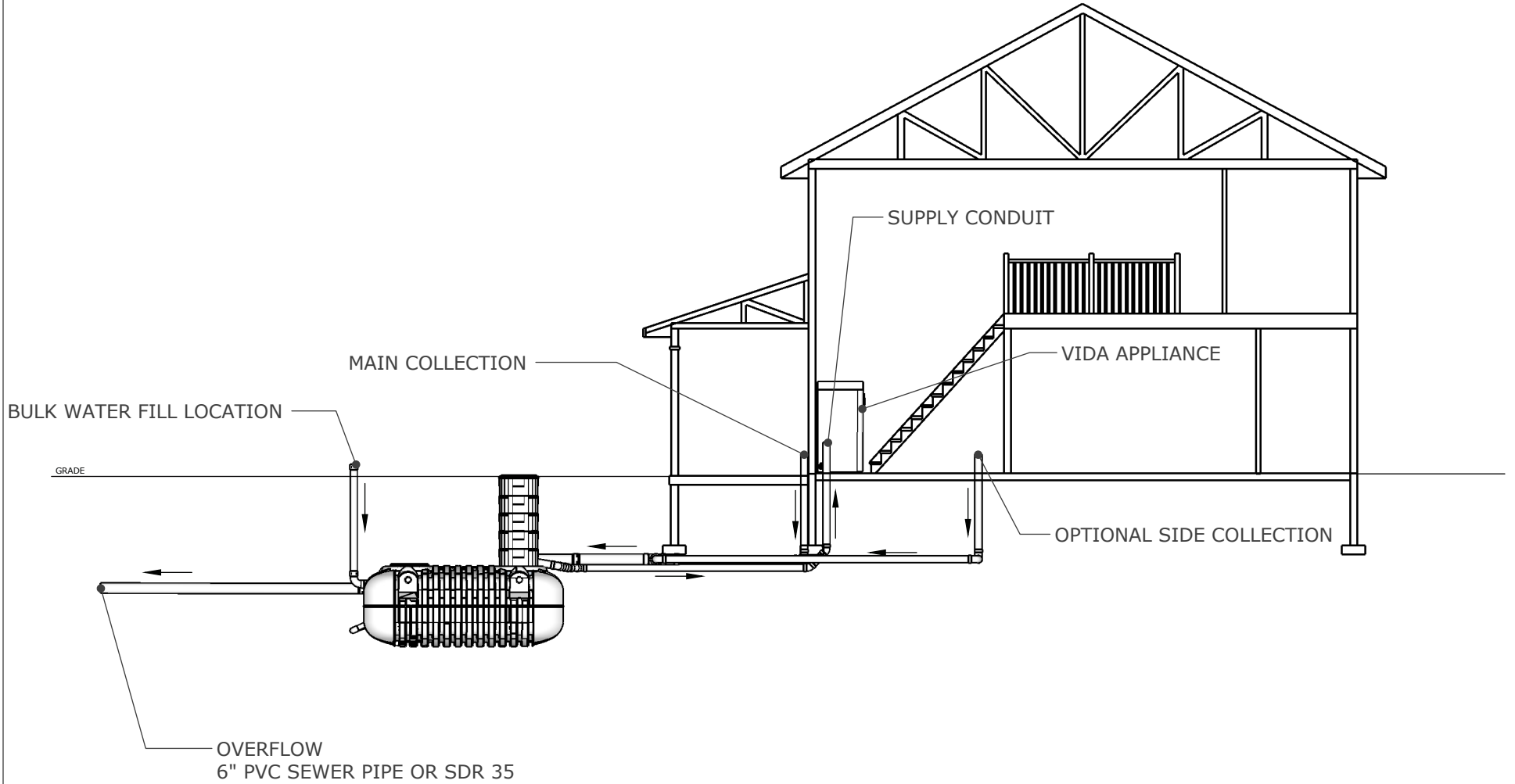
12 AWG, 2 CONDUCTOR WIRE, FLOAT SWITCH SIGNAL

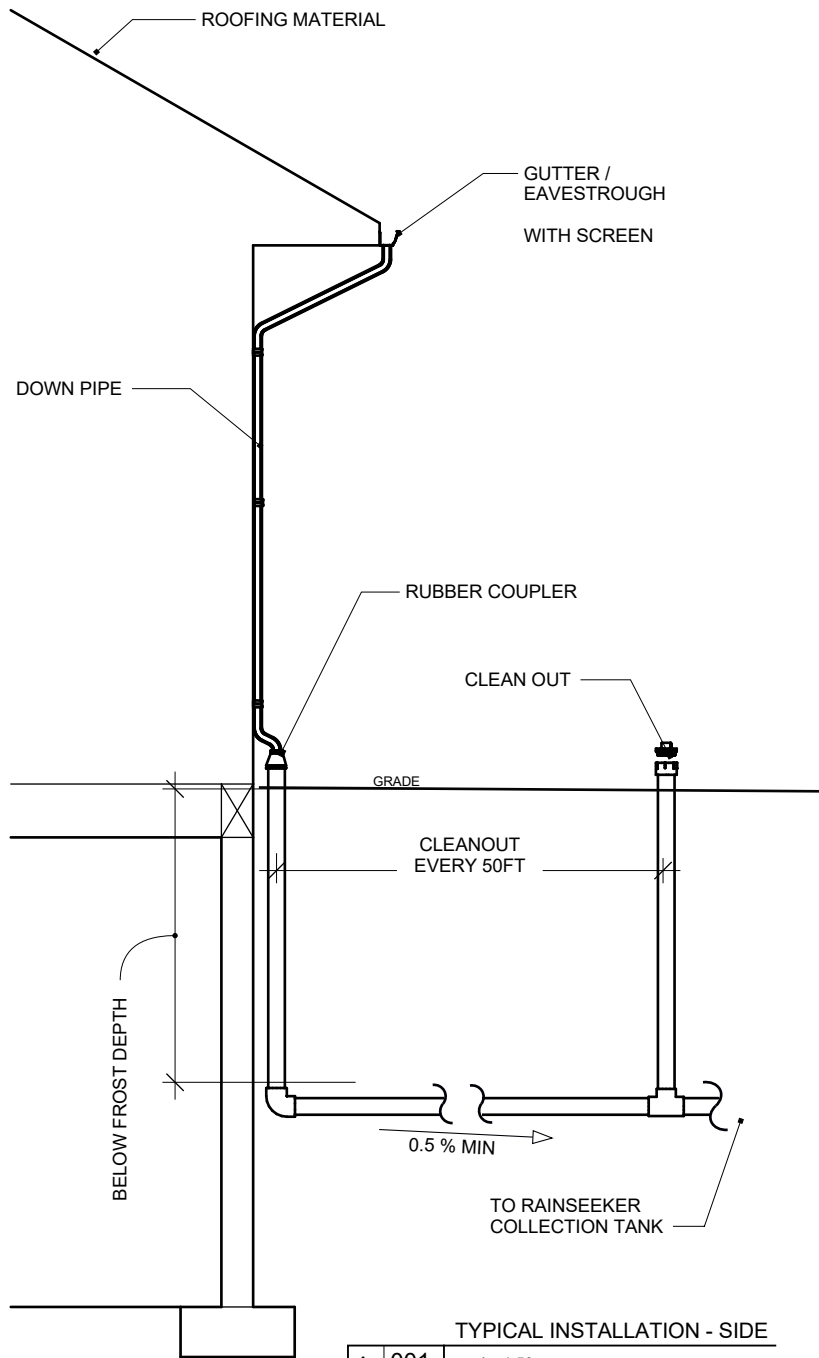


BULK WATER FILL



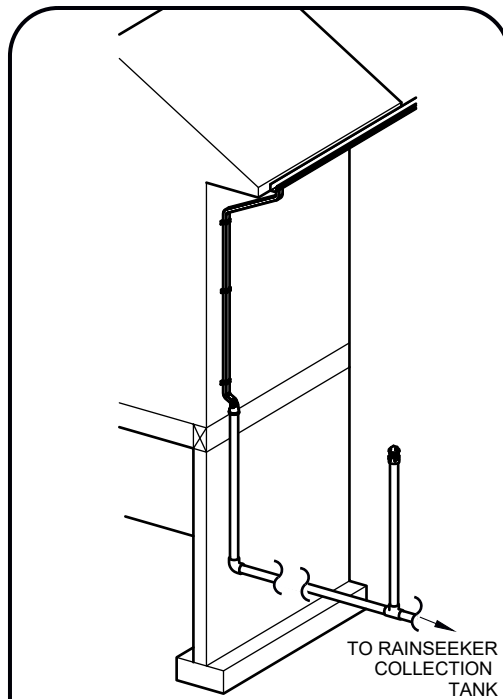






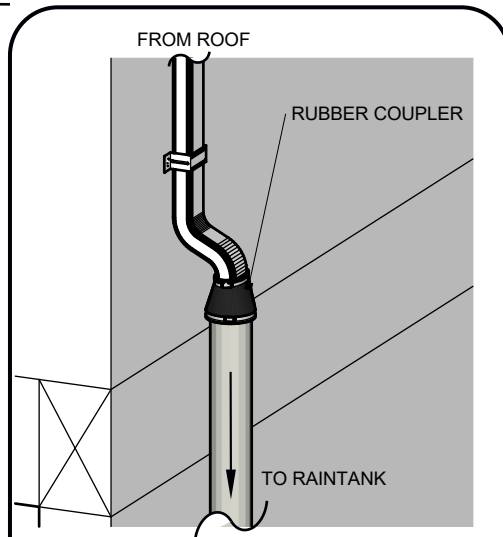
TYPICAL INSTALLATION - SIDE

A 001 scale: 1:50



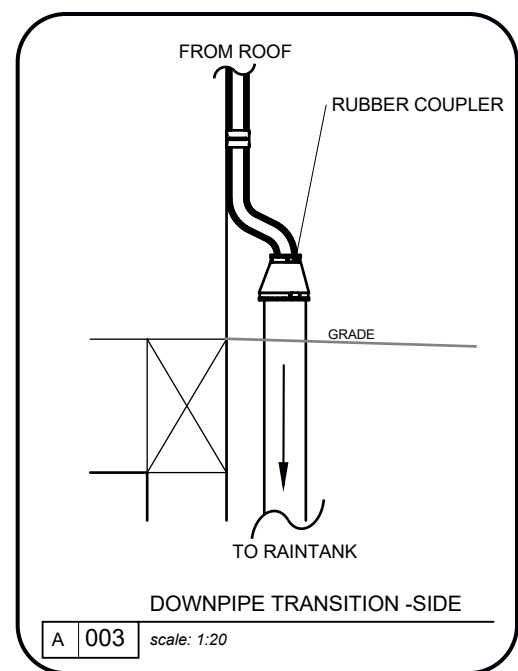
TYPICAL INSTALLATION - ISO

A 002 scale: 1:75



DOWNPIPE TRANSITION - ISO

A 003 scale: 1:20



DOWNPIPE TRANSITION -SIDE

A 003 scale: 1:20

ROOFING MATERIAL

- 1) APPROVED FOR ROOF SLOPE.
- 2) MUST NOT BE: GRAVEL OR A GREEN ROOF (GREEN ROOF REQUIRES SPECIFIC COLLECTION SYSTEM).
- 3) POTABLE DRINKING: ROOFING MUST BE RATED FOR NSF P151.
- 4) ALL FLASHING OR ROOF PENETRATION MUST BE NSF 372 OR LESS THAN 0.25% LEAD.

GUTTERS / EAVESTROUGH AND LEAF SCREENING

- 1) APPROVED FOR BUILDING TYPE.
- 2) POTABLE DRINKING: GUTTERS / EAVESTROUGH AND LEAF SCREENING MUST BE RATED FOR NSF P151.
- 3) MIN 0.5 % SLOPE TOWARDS DOWNSPOUT.
- 4) LEAF SCREENING/ GUARD IS REQUIRED TO MEET CSA STANDARDS.
- 5) PERFORM REGULAR MAINTENANCE TO ENSURE NO ACCUMULATION OF DEBRIS

DOWNPIPE / DOWN SPOUT

- 1) APPROVED FOR BUILDING TYPE.
- 2) POTABLE DRINKING : DOWNPIPE MUST BE RATED FOR NSF P151 OR SAFE FOR DRINKING
- 3) MINIMUM ONE DOWNSPOUT FOR EVERY 40 FEET OF GUTTER.

UNDERGROUND PIPING

- 1) APPROVED FOR BUILDING TYPE.
- 2) POTABLE DRINKING : UNDERGROUND PIPING MUST BE RATED FOR NSF P151 OR NSF 61 OR SAFE FOR DRINKING
- 3) COMMON MATERIAL: PVC (SDR 35, DRAIN PIPE, SCH 40)

TYPICAL INSTALLTION SPECS

A 003

