



Rainwater harvesting
The complete system

English

Installation and Operating Instructions

RainCollector RS

A filter to harvest rainwater

- Mesh size 0.28 mm
- Automatic separation of dirt particles
- For installation in vertical pipes
- 10 years guarantee
- Easy access to the filter insert
- Complete drainage safety in accordance with DIN EN 752, DIN EN 12056. Complies with DIN 1989.
- Extremely low maintenance
- Oxygen enrichment of filtered water

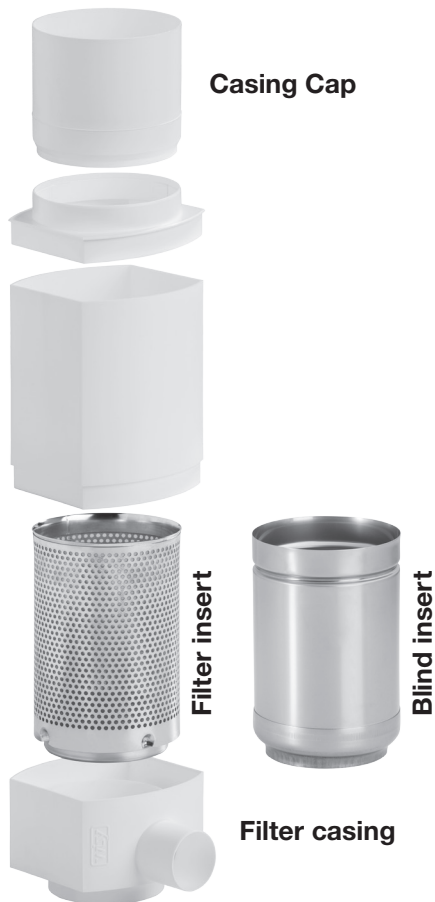


*For roof areas of
100 m² in tropical
Countries or up
to 200 m² in
moderate Climate*



WISY Rainwater Harvesting

Please read these instructions carefully before installing the WISY RainCollector RS.



The filter insert:

This element is the heart of the RainCollector RS. It is completely made of stainless steel and has a mesh size of only 0,28 mm. Dirt is automatically washed away, therefore it is to a large extent self cleaning.

The blind insert:

This accessory provides a direct flow of the rainwater from the roof into the drain. It is exchanged for the filter insert if the cistern is not to receive any filter water (e.g. for maintenance work).

Construction and Mode of Operation

- The RainCollector RS body is made of PP Plastic, with a UV stabilisation suitable for tropical sunlight. The filter element is made of stainless steel.
- The RainCollector RS filters the roof run-off water directly in the rainwater downpipe and then passes the filtered water through the outlet connection to the storage tank. The special construction of the filter is designed to separate coarse materials like leaves, moss, insects, etc. as well as fine pollutants which are washed through the downpipe to the soakaway or drain.
- With a mesh size of 0.28 mm the unit, can supply water suitable for washing machines, WC etc. No further filtering of the water is required.
- The construction of the RainCollector RS unit creates no obstruction or narrowing of the downpipe. The Gentle Gravity Filtering technology (patented) ensures that the full flow of the rainwater in the downpipe and through the filter is maintained. This is especially important in the case of heavy rainfall. In average rainfall, over 90% of the run-off rainwater will be collected. Even in heavy downpours over 50% of the flow is filtered and collected.
- The RainCollector RS has an inlet diameter directly fitting for 110 mm round pipes. Smaller or square downpipes must be adapted to round pipes of 110 mm diameter. If the pipe diameter has been increased from a smaller diameter to 110mm, a length of at least 50cm of 110mm round pipe shall be above the filter.
- The RainCollector RS is built according to DIN and EN standards.

Field of Application

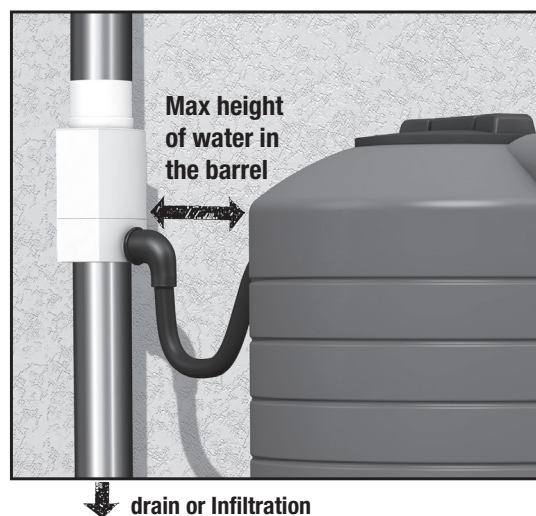
The RainCollector is designed to be inserted directly into the vertical section of a rainwater downpipe.

The most ideal collecting surfaces are pitched roofs of tiles or slate. Turf roofs are less suitable due to their low water yield. Asbestos or heavily soiled roofs should not be used.

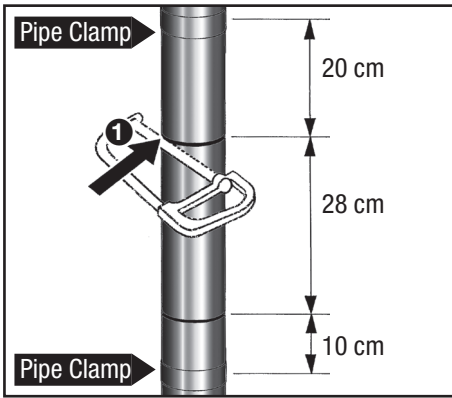
Quality

The components are manufactured using the latest production techniques and are required to undergo the most rigorous quality control to ensure trouble-free operation. In the unlikely occurrence that parts do prove defective, WISY will guarantee replacement.

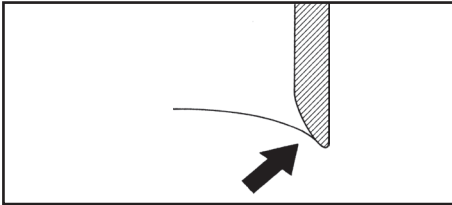
Installation



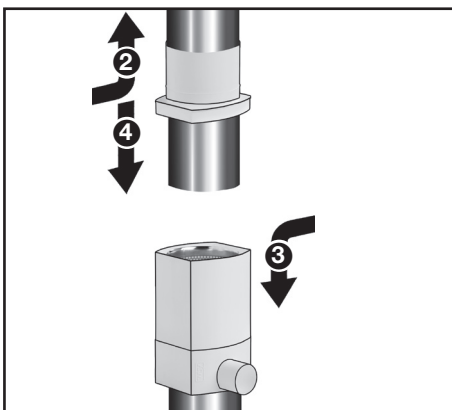
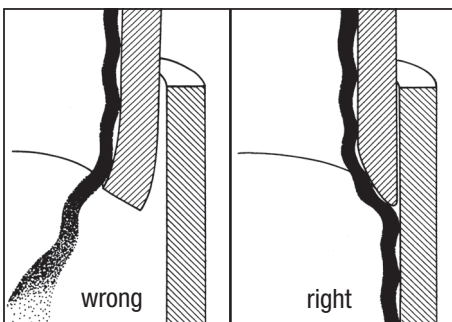
Integrated security overflow: the upper end of the outflow connection has to be levelled on the desired height of the maximum water level of the barrel. Thus the excess rainwater will automatically be diverted to the infiltration or drain.



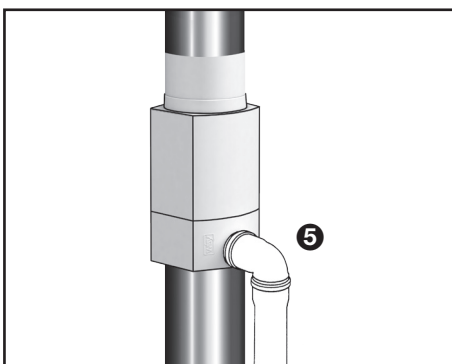
- 1 Remove a 28 cm section of the rainwater downpipe at the desired installation height. Clean up the saw cut ends of the pipe with a halfround file.



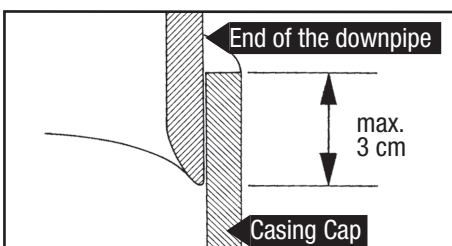
Important: the inner edge of the upper cut must be well rounded



- 2 Slide the casing cap onto the upper section of downpipe.
- 3 Insert the filter casing into the lower section of downpipe.
- 4 Slide down the casing cap onto the filter casing to lock the filter in position.



- 5 Connect the outlet connection to the storage tank with 50 mm plastic pipe or steel pipe with a rubber gasket. To facilitate the rapid outflow of water from the filter, we recommend the use of a downward facing elbow on this outlet.



– Fix both ends of the downpipe 20 cm above and below the filter casing back to the wall with suitable clamps. There should be a minimum clearance of 2 cm between the pipe and the wall.

– When correctly installed the upper downpipe ideally penetrates 3 cm into the filter cap and the filter sits 1.5 cm inside of the lower downpipe.

Maintenance

- The maintenance required is minimal. The filter mesh to a large extent is self cleaning, with no debris remaining on the vertical filter element. However over a period of time, depending on the roofing material and locality, a thin coating forms on the filter element.
- If available the filter insert can be cleaned in a household dishwasher. This gives best results. As well it can be cleaned by hand, using a detergent and brush or sponge.
- To take out the filter insert raise the casing cap by about 3 cm, then lift out the complete filter casing from the lower pipe. The filter insert can be taken out.
- If the filter element is removed, the unit works as a simple collector without filtering.



® WISY AG
D-63699 Kefenrod, Oberdorfstraße 26
Telefon +49 (0) 60 54 - 91 21-0, Fax +49 (0) 60 54 - 91 21-29
Internet: www.wisy.de · E-Mail: info@wisy.de