



Rainwater harvesting  
The complete system

English

# Installation and Operating Instructions

## RainCatcher RC

A simple device to harvest rainwater

- Automatic diversion of Rainwater from the downpipe to a barrel or tank
- For installation in vertical pipes
- 10 years guarantee
- Complete drainage safety in accordance with DIN EN 752, DIN EN 12056. Complies with DIN 1989.
- Extremely low maintenance
- Automatic overflow control of the barrel



*For roof areas  
of 100 m<sup>2</sup> in  
tropical  
Countries or  
up to 200 m<sup>2</sup>  
in moderate  
Climate*

# WISY Rainwater Harvesting

**Please read these instructions carefully before installing the WISY RainCatcher RC.**



## Construction and Mode of Operation

- The RainCatcher RC is made of PP Plastic, with a UV stabilisation suitable for tropical sunlight.
- The RainCatcher RC diverts the Rainwater from the downpipe through the outlet connection to a garden barrel or storage tank. The special construction of the RainCatcher RC is designed to separate coarse materials like leaves, moss, insects etc. directly through the downpipe to the soakaway or drain.
- The construction of the RainCatcher RC creates no obstruction or narrowing of the downpipe. It is ensured that the full flow of Rainwater in the downpipe is maintained. This is especially important in the case of heavy rainfall. In average rainfall, over 90% of the run-off rainwater will be collected. Even in heavy downpours over 50% of the flow is collected.
- The RainCatcher RC has an inlet diameter directly fitting for 110 mm round pipes. Smaller or square downpipes must be adapted to round pipes of 110 mm diameter. If the pipe diameter has been increased from a smaller diameter to 110mm, a length of at least 50cm of 110mm round pipe shall be above the filter.
- The WISY RainCatcher RC is built according to DIN and EN standards.

## Field of Application

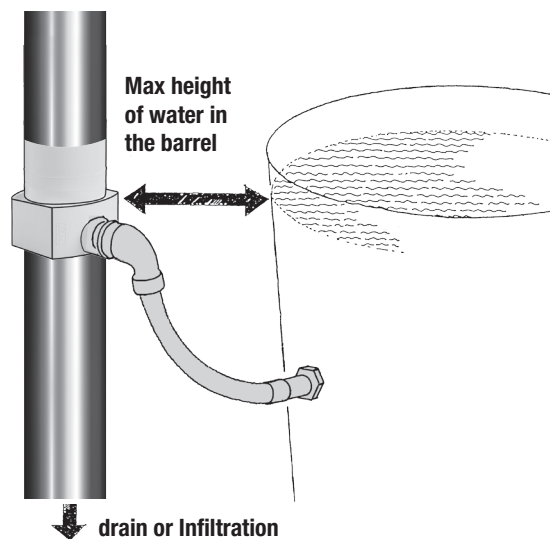
The RainCatcher RC is designed to be inserted directly into the vertical section of a rainwater pipe.

The most ideal collecting surfaces are pitched roofs of tiles or slate. Turf roofs are less suitable due to their low water yield. Asbestos or heavily soiled roofs should not be used.

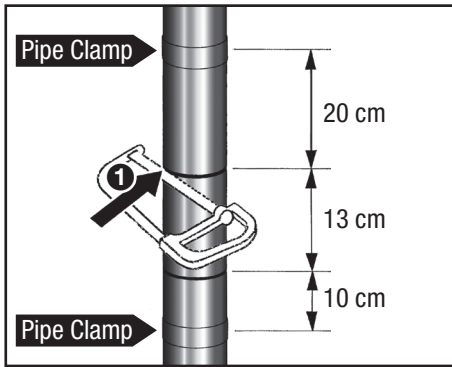
## Quality

The components are manufactured using the latest production techniques and are required to undergo the most rigorous quality control to ensure trouble-free operation. In the unlikely occurrence that parts do prove defective, WISY will guarantee replacement.

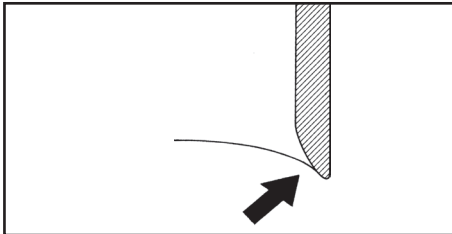
## Installation



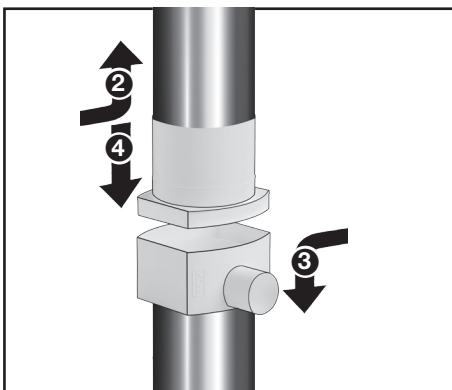
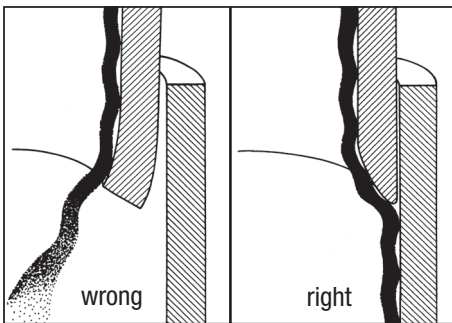
Integrated security overflow: the upper end of the outflow connection has to be levelled on the desired height of the maximum water level of the barrel. Thus the excess rainwater will automatically be diverted to the infiltration or drain.



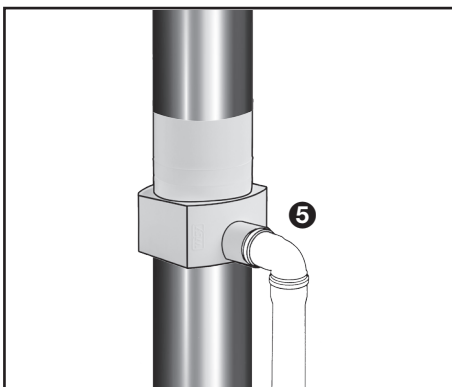
- 1 Remove a 13 cm section of the rainwater downpipe at the desired installation height. Clean up the saw cut ends of the pipe with a halfround file.
- Fix both ends of the downpipe 20 cm above and below the RainCatcher RC casing back to the wall with suitable clamps. There should be a minimum clearance of 2 cm between the pipe and the wall.



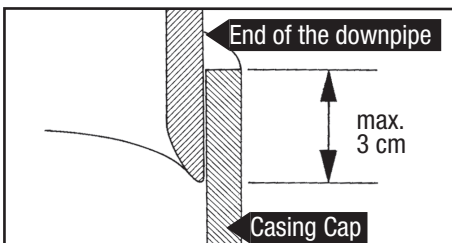
**Important:** the inner edge of the upper cut must be well rounded



- 2 Slide the casing cap onto the upper section of downpipe.
- 3 Insert the casing into the lower section of downpipe.
- 4 Slide down the casing cap onto the casing to lock the RainCatcher RC in position.



- 5 Connect the outlet connection to the storage tank with  $\varnothing$  50 mm plastic pipe or steel pipe with a rubber gasket. To facilitate the rapid outflow of water from the RainCatcher RC, we recommend the use of a downward facing elbow on this outlet.



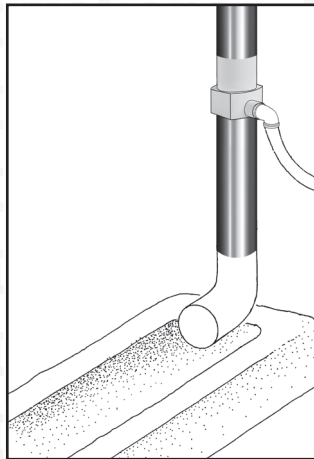
- When correctly installed the upper downpipe ideally penetrates 3 cm into the cap and the RainCatcher RC sits 1.5 cm inside of the lower downpipe.

## Maintenance

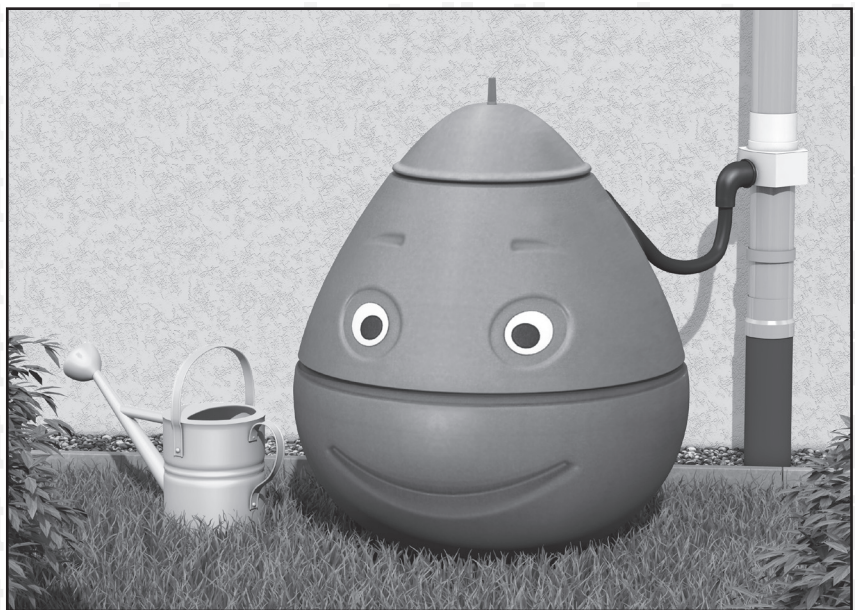
- The maintenance required is minimal. The RainCatcher RC to a large extend is self cleaning, with no debris remaining anywhere.
- To take out the RainCatcher RC, remove the storage pipe connection and raise up the casing cup by about 5 cm and then lift out the RainCatcher RC casing from the lower pipe.
- The RainCatcher RC can easily be cleaned in a bucket, using a mild detergent and brush or sponge.
- Return the RainCatcher RC to its place in the Downpipe, making sure the incoming pipe is well fitted as described above.

## Remarks on the rainwater infiltration

In case of an appropriate soil it is recommended to infiltrate the surplus of water into the underground or to evaporate it by a pond instead of diverting it to the public drain. For guarding the underground the water should be infiltrated through the surface if possible. The best practice of infiltration has to be chosen individually by the characteristics of the terrain, the amount of water, the permeability of the soil and by the groundwater regime.



The example shown here demonstrates a possibility to divert the excess water to a surface infiltration with commercial components. Important: the water should be infiltrated a secure distance from buildings.



® WISY AG  
D-63699 Kefenrod, Oberdorfstraße 26  
Telefon +49 (0) 60 54 - 91 21-0, Fax +49 (0) 60 54 - 91 21-29  
Internet: [www.wisy.de](http://www.wisy.de) · E-Mail: [info@wisy.de](mailto:info@wisy.de)